



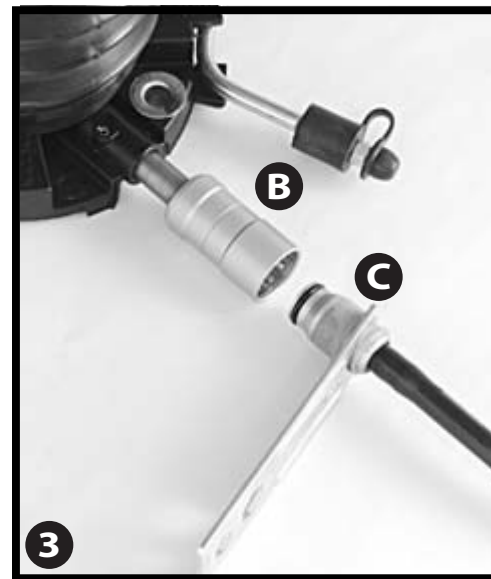
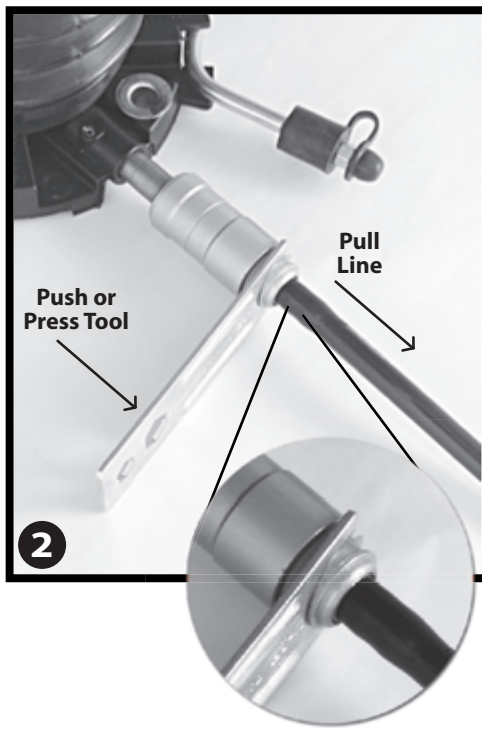
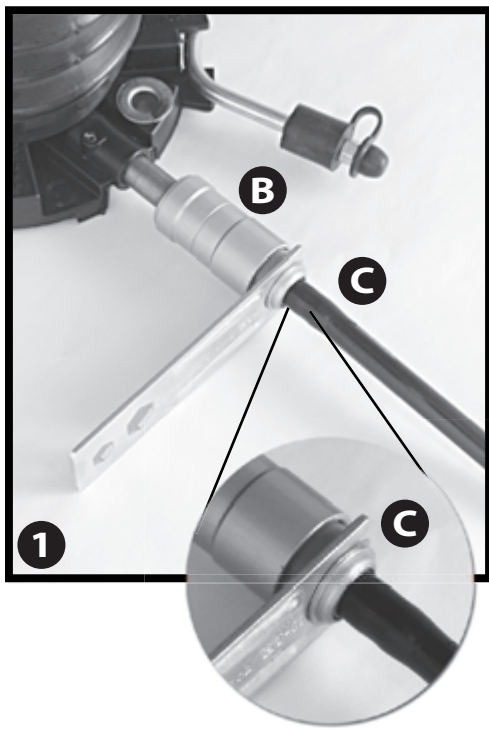
INSTALLATION BULLETIN

IB182



Hydraulic Disconnect Tool

Part # HT-01



Hydraulic Line Disconnect Instructions:

- 1) Insert fork of HT-01 (Figure A) tool between plastic collar and flange of feed/pressure line (Figure C) quick connection.
- 2) Using HT-01 tool, press plastic collar towards slave cylinder quick connector (Figure B) - Feed/pressure line should pop out.
- 3) Illustration shows feed/pressure line in the disconnect position. Slave Cylinder quick connector (Figure B) and feed/pressure line quick connector (Figure C) fitting are both self sealing when disconnected.
- 4) Hex end of HT-01 tool may be used to loosen and/or tighten bleeder fittings.

 **PERFECTION**
Clutch

100 Perfection Way Timmonsville, SC 29161
For More Information Call 1-800-258-8312
or Visit Our Website at www.perfectionclutch.com